



Tellefsdal D70

Snow plough



The Tellefsdal D70 is an excellent diagonal snow plough which delivers efficient and reliable snow clearance for demanding winter maintenance. The angled right-hand side of the plough allows effective snow clearance far and wide, while the lower left-hand side gives clearer visibility for the driver and has been designed to fit easily under railings and other obstacles. Its resilient and durable steel construction guarantees performance and longevity, while optimising the safety of driver and vehicle.

Highlights

- Unique snow removal characteristics thanks to aggressive angling of the plough share and an optional second cutting edge
- Due to its optimised design, the plough prevents the build up of a snow wall on the right
- 40° angle to the right provides the best snow flow and ejection
- Diagonal plough designed with higher snow ejection, enabling better visibility for the driver on the left side

Your benefits

- Efficient snow ejection capabilities combined with very good visibility from the driver's cabin
- Override security system for safely driving over obstacles and better adjustment to the road surface
- Efficient and effective snow removal through the special design of a second cutting edge

Performance features

Plough blade

The lower left-hand side has been designed to fit easily under railings and other obstacles, while a 40° inclination of the blade to the right, combined with the height of the plough share, ensures effective and efficient clearing in heavy snowfall with high snow throwing capabilities.

The D70 offers a 70° angle of attack to the road, which increases its snow clearance efficiency and effectiveness, while the plough share is designed with an integrated snow deflector to prevent snow falling onto the windscreen and obscuring the driver's vision.

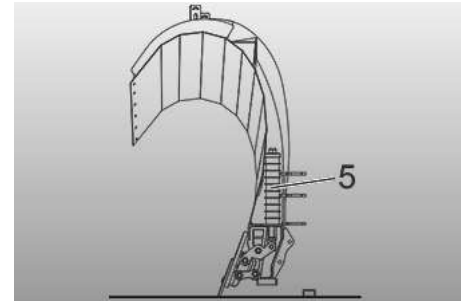
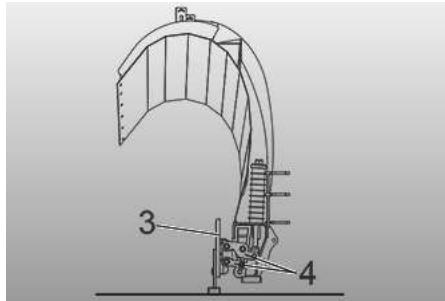
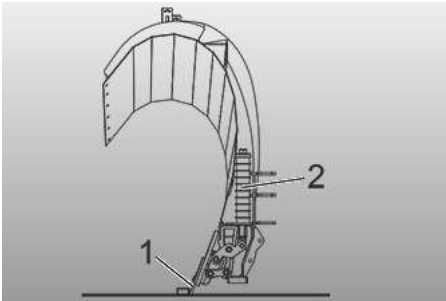
The left-hand side of the plough is designed to improve visibility from the driver's cab and minimise snow debris when clearing along the guard rail.



Override security system

As standard, the D70 is equipped with a unique override security system which has a number of key features:

- **Stiffness** of the system is perfect for clearing hard, compacted snow
- **Linking arms system** provides an ideal adjustment to the road surface
- **The override system** is divided into four or five segments, depending on the size of the plough, which absorb the impact energy from hitting an obstacle and provide safe and smooth passage over the obstacle.



Lifting device

A three-point lift with automatic transverse tilt compensation enables the plough to be raised and lowered accurately and perfectly straight. The hydraulic lift is specially designed to provide improved rust resistance.



Hydraulic angling system

Lateral adjustment is achieved by two powerful double-action swivel cylinders that position the plough in the perfect clearing position without backlash. The hydraulic cylinders are protected by pressure relief valves.

The coating of the piston rod within the hydraulic lift cylinder provides improved rust resistance.

Mounting

The mounting device is height-adjustable so the plough can be positioned correctly on different vehicle mounting plates.

Options

- Fine-finish blade
- Warning marks
- LED marker lights
- LED flashing light

Gallery



Related products

Tellefsdal K70

Snow plough



Tarron

Snow plough



Cirron

Snow plough



Technical data

	D70 - 3400	D70 - 3700
Dimensions		
Plough height	1,650 mm	1,685 mm
Plough height right	1,560 mm	1,595 mm
Plough height left	880 mm	860 mm
Total width	3,555 mm	4,110

Weights		
Approx. weight with steel cutting edges	1,090 kg	1,165 kg

	D70 - 3400S	D70 - 3700S
Dimensions		
Plough height	1,650 mm	1,685 mm
Plough height right	1,560 mm	1,595 mm
Plough height left	880 mm	860 mm
Total width	3,555 mm	4,110

Weights		
Approx. weight with steel cutting edges	1,230 kg	1,315 kg



© Aebi Schmidt Group
www.aebi-schmidt.com

Aebi Schmidt Holding AG
CH-8050 Zurich, Switzerland

All rights reserved. Technical data is subject to change.
Illustrations are not binding. Errors and amendments excepted.

Document created on 19 FEB 2024

